



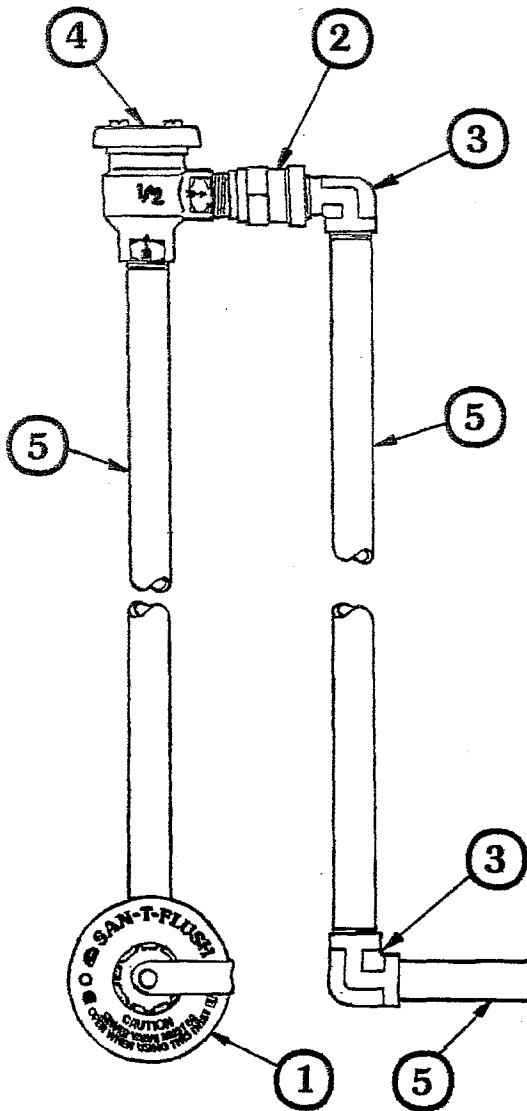
# SAN-T-FLUSH™

*For Holding Tanks*



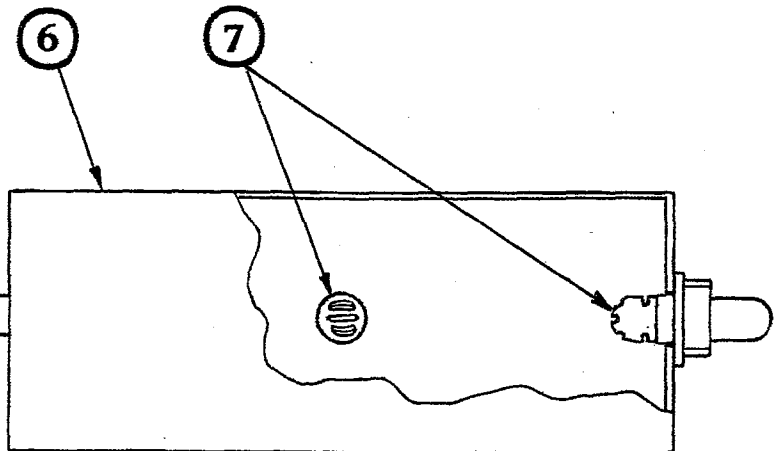
**SFS-250**  
**(2 JET SYSTEM)**

**SFS-150**  
**(1 JET SYSTEM)**



## PARTS LIST

1	FILL INLET
2	CHECK VALVE
3	ELBOW
4	VACCUM BREAKER
5	1/2" PEX OR EQUIVALENT TUBING
6	HOLDING TANK
7	SPRAYING JETS



# SFS-250 & SFS-150 INSTALLATION INSTRUCTIONS JET HEADS

THE SINGLE TANK FLUSHING SYSTEM WILL COME WITH ONE OR TWO JET HEADS  
DEPENDING ON THE MODEL.  
ON SOME MODELS THE JET HEADS ARE PUT IN BY THE TANK COMPANY.

## SFS-150 ( ONE JET HEAD )

Drill 7/8" hole not more than 2" from the top of tank, and as close  
to the center of the tank as possible.

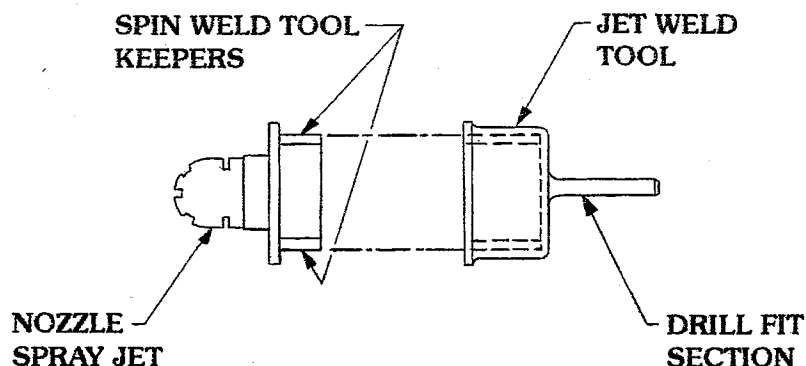
## SFS -250 ( TWO JET HEAD )

Drill second 7/8" hole at opposite end of tank from the drain not more  
than 2" from the top of the tank.

### CAUTION USE ONLY SPECIAL TOOL DESIGNED FOR INSTALLATION OF JET HEADS

1. Place jet head in tool carefully, making sure jet head is well-seated.
2. Place jet head against hole, using slight pressure.
3. Use high speed drill or router to turn jet head until spin patch melts on edges. Stop spin at correct time. Allow poly on both surfaces to solidify. Be sure to spin in over 6,000 rpm.
4. Check for uniformity of weld to prevent leaks.

### ALWAYS USE SAFETY GLASSES



### ATMOSPHERIC VACUUM BREAKER

1. Install atmospheric vacuum breaker a minimum of 6" above the flood rim of the highest fixture connected to the waste holding tank ( see diagram ).
2. Install check valve horizontally on the discharge side of the vacuum breaker. Both valves ( vacuum breaker and check valve ) are directional. DO NOT CONNECT ANY OTHER CHECK VALVE OTHER THAN ENCLOSED TO THIS SYSTEM.
3. Test flushing system for leaks with a minimum of 40 PSI..

## **SFS 250 Installation Instruction**

**NOTE\*\*\*** If it necessary to add any part to this system, the parts shall be at least the equivalent of IAMPO TSC 28-88  
Flushing systems must be purchased from a certified approved supplier **Swan Industries** is certified and approved.

### **Flushing Tanks**

1. Dump your holding tank in the usual manner at an approved station.
2. Leave dump valves open to flush tank.
3. Attach garden hose to San-T-Flush connection.
4. Begin Flushing, allow water to run approximately **ONE** minute .
5. To sanitize tanks **Swan's** has a specially formulated **San-T-Tabs**, a San-T-Tab injection bottle must be purchased from **Swan Industries**. This will allow you to clean, sanitize and freshen up the tanks.

To order **Swan's San-T -Tabs**  
with an injection bottle call:

Swan Industries Inc. Telephone 541-389-4668  
633 NE First St. Fax 541-389-4068

Bend, OR 97701

We accept Visa or Master Card

### **Winterizing Instructions for SAN-T-FLUSH SYSTEM**

1. Connect a hose to the San-T-Flush City Inlet.
2. The hose must be attached to a water pump (pressure) port.

3. A second hose must be submersed in a container of **RV NON-TOXIC PROPYLENE GLYCOL ANTI-FREEZE.**
4. Turn on water pump until you see the fluid run out Tank, or hear the fluid enter the tank via the Jet Heads. Following this procedure will protect the low points in the plumbing (if any exist) from freeze up.
5. For further information or questions you may have, Please contact Swan Industries at 541-389-4668.

Swan Industries manufactures other products that will make your RV experience more enjoyable. You can end your fear of frozen lines and pumps forever, with Swan's Pushbutton Winterizing **Prevent-A-Freeze** System .

You can winterize or de-winterize in less than five minutes. One simple installation is all it takes. Automatic or manual operated available for all RV's, Boats, Homes, Cabins and Condo's.

**Don't Let The Fear Of  
Freeze-Ups  
Ruin Your Winter R.V.  
Fun & Travels**

### **R.V. Automatic Winterization System**

A permanently installed system that fits all RV's. It uses your existing DEMAND water system; it takes less than two minutes to winterize your RV and can be used year round, protecting you from costly freeze-ups or damage at the flip of a switch. Now use your water system worry free, year round!

**Call Today To Order Your System  
800-228-7926**

## Warranty

- (1) One Year Limited Warranty.
- (2) Labor, shipping & handling costs are excluded.
- (3) Warranty covers only the original purchaser of newly manufactured Rv's Warranty not transferable to subsequent owners.
- (4) Warranty becomes null and void if products have been repaired, or modified by an unauthorized person, or has been improperly operated, or in any way abused. \*\*
- (5) Swan Industries, Inc. Assumes no expressed or implied warranty responsibility other than set forth above and will not accept responsibility for any other Warranties issued and/or implied.

\* Original Equipment Manufacturer.

\*\* Void if damage results from freezing.



633 NE FIRST - BEND, OREGON 97701

MAILING ADDRESS:  
P.O. BOX 7018  
BEND, OR 97708

PHONE (541) 389-4668  
FAX (541) 389-4068